

liteCUE-basic



Cost-effective control system with button keypad for small applications



**SIMPLE
SETUP**

Main Features

- Complete easy-to-use solution for room control
- Small 8-button keypad 55 x 55 mm in aluminium enclosure
- Small room controller with various control ports
- Powerful support for IP, serial and IR device control
- Onboard real time clock for scheduled operations
- Power over Ethernet power supply
- Compact surface-mount or free standing metal enclosure
- Simple Setup for non-programming deployment
- Web server and Admin Web pages for setup
- Integration with touchONE reservation system

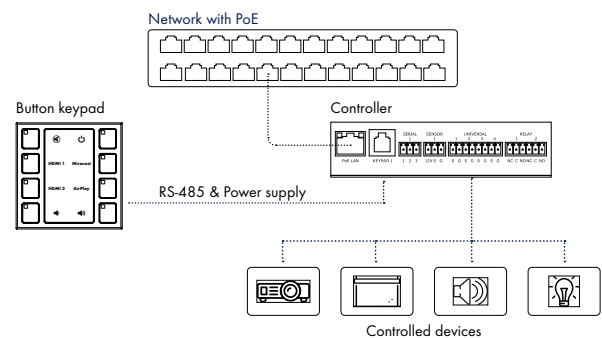
Description

The basic configuration for deploying a liteCUE-basic assumes the use of a controller controlCUE-basic, in which a control application prepared using the Cue Visual Composer programming tool is loaded. Also, built-in Simple Setup can be used to set up the system without programming.

Then the control unit controls the individual devices installed in the meeting room using IP, serial ports, IR, digital IOs, and relays.

An 8-button keypad keypadCUE-55 with illuminated key label is used as a control panel. Each button contains an indicator to indicate the status of the system or individual devices.

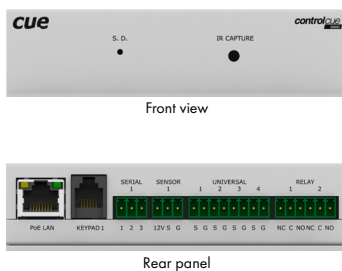
The entire control system is connected to the PoE network, from which it is completely powered incl. the keypad. Therefore, a separate power supply is not required.



Controller

- 1x Wired 10/100 BaseT LAN
- 1x Keypad port incl. power supply for keypad
- 1x Bi-directional serial RS-232/485 port
- 1x Occupancy sensor port with 12 VDC power supply output
- 4x Universal port
- 2x Low-voltage relay
- IR code capture sensor
- ARM® processor platform
- Internal RAM 256 MB, flash 256 MB
- Onboard real time clock
- Power over Ethernet power supply
- Compact surface-mount or free standing metal enclosure
- Web server and Admin Web pages for setup
- Simple Setup for easy configuration without programming

[controlCUE-basic more details](#)



Button keypad

- Compact keypad equipped with eight buttons
- Programmable LED indication in each button
- Changeable user defined button's label with backlight
- Aluminium enclosure
- Enclosure colors
 - white aluminium RAL9006
 - signal white RAL9003
- Small dimensions 55 x 55 mm
- Compatible with standard electrical wall boxes
- Compatible with 55 x 55 mm frames
- RS-485 data communication
- Wall mounting adapter and plastic frame available
- Desk holders available

[keypadCUE-55 more details](#)



controlCUE-basic specifications

Network

- 10/100 BaseT Ethernet
- 802.1X authentication mechanism and Proxy server support
- Connector - RJ-45

Keypad port

- Power supply +12 VDC output, max. 250 mA
- RS-485 data communication
- Max. 5 keypadCUE-55 can be connected
- Connector - 6P6C modular jack

Control ports

- 1x Bi-directional serial
RS-232/485 modes
Connector - Phoenix 3-pin 3.5 mm
- 1x Sensor port
Power supply output +12 VDC, max. 50 mA
Digital input
Connector - Phoenix 3-pin 3.5 mm
- 4x Universal, each port can be used as
Digital input
Digital output
IR output
Serial output
Connector - Phoenix 2-pin 3.5 mm
- 2x Low-voltage relay

Internal IR sensor

LED indicators

- Located on the network connector
- Orange Power - indicates power is presented and unit is ready.
- Green Link - indicates network link and activity.

Button

- System Default sets default IP address and password.

Real time and date

- RTC with battery backup

Memory

- Internal RAM LPDDR 256 MB, internal non-volatile flash 256 MB

Software technologies

- Admin Web, XPL² inside
- Simple Setup for easy configuration without programming

Power supply

- Power over Ethernet (PoE)
- IEEE 802.3af / Class 0

Physical

- Compact aluminium enclosure
- Protection IP20
- Dimensions 120 x 30 x 80 mm / 4.7" x 1.2" x 3.2"
- Weight 0.2 kg / 0.4 lb

Environment conditions

- Operating temperature 10° to 40° C
- Storage temperature 0° to 60° C
- Relative humidity 10% to 90% non-condensing

Box Contents

Controller controlCUE-basic
Button keypad keypadCUE-55
Connector set
Ethernet cable
Quick start guide

keypadCUE-55 specifications

Buttons

- 8x black plastic button
- Fully configurable functionality

Indication

- 8x programmable green LED in each button
- Variable brightness

Button's label

- White backlight with variable brightness
- Black background and white characters recommended
- Print on a printer or use 3M ScotchMark laser markable label stock 7847 - two layer film designed for the production of labels in laser marking facilities.

System connection

- Power supply 10 ± 30 VDC, max. 2 W
- RS-485 data communication
- 2x 6P6C modular jack connector

Physical

- Aluminium enclosure
- Enclosure colors: white aluminium RAL9006 or signal white RAL9003
- Protection IP30
- Dimensions 55 x 55 x 11 mm / 2.2" x 2.2" x 0.4"
- Weight 0.1 kg / 0.2 lb

Environment conditions

- Operating temperature 10° ± 40° C
- Storage temperature 0° ± 60° C
- Relative humidity 10% ± 90% non-condensing

Supplied accessories

- 2x 6P4C cable connector

Order Information

Product code CS0588